

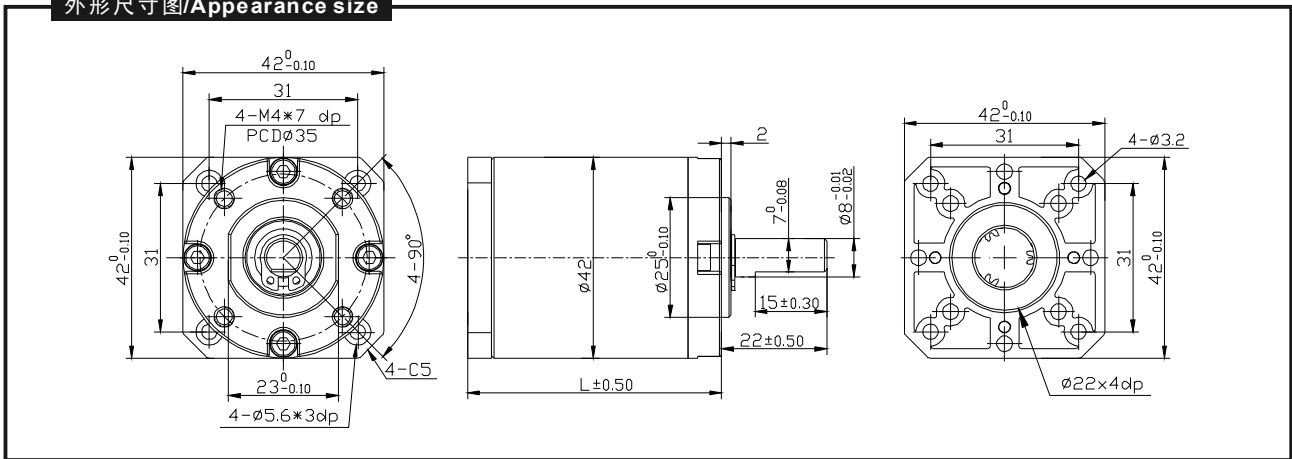
# PG42(for step motor)



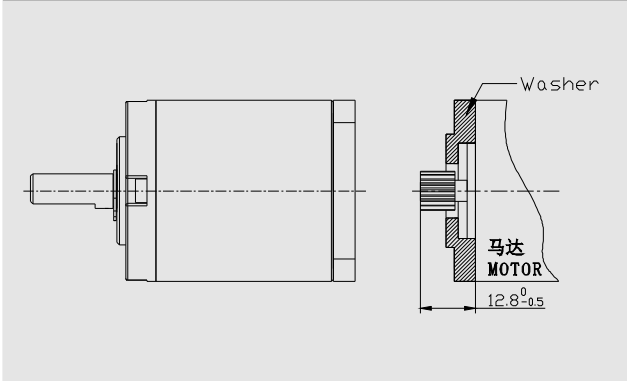
Note:

- 1、外壳材质(Housing material) : metal
- 2、背隙, 无负荷时 (Backlash, at no-load) :  $\leq 1.0^\circ$
- 3、轴承型号 (Bearing at output) : ball bearings
- 4、径向间隙 (Radial play of shaft) :  $\leq 0.05\text{mm}$
- 5、轴向间隙 (Thrust play shaft) :  $\leq 0.3\text{mm}$

外形尺寸图/Appearance size



马达装卸方法/Motor Installation



马达齿轮参数/Pinion Specifications

模数 Module	0.6	0.6
齿数 NO. of teeth	17	21
压力角 Pressure angle	20°	
孔径 Hole diameter	Φ5	Φ3.17D(2.9),
减速比 Reduction ratio	3.7, 10.2, 13.7, 19.2, 32.5, 50.9, 99.5, 71.2, 188, 264, 369, 699, 977, 1367, 1911	5.2, 26.9, 516, 2672, 3736

使用温度范围/Operating temperature range:  $-10^\circ\text{C} \sim +60^\circ\text{C}$

使用相对湿度/Operating relative humidity: 20%~85%RH

标准减速比参数/Gearboxes Specifications

减速比 Reduction ratio	精确减速比 Reduction absolute	额定允许扭力 Rated tolerance torque	极限扭矩 Max breaking torque	效率 Efficiency	级数 Number of stages	齿轮箱长度 Gearbox length "L" mm
3.7,	3 <sup>12/17</sup>	20.0kgf · cm	60.0kgf · cm	90%	1	30.6
10.2, 13.7, 19.2	10.179, 13 <sup>212/289</sup> , 19 <sup>38/187</sup> ,	60.0kgf · cm	180.0kgf · cm	81%	2	41.9
32.5, 50.9, 71.2, 99.5,	32.476, 50 <sup>4397/4913</sup> , 71 <sup>524/3179</sup> , 99 <sup>1044/2057</sup> ,	120kgf · cm	360kgf · cm	73%	3	53.2
139, 188, 264, 369, 516,	139.796, 188.611, 263.729, 368.763, 515.630,	120kgf · cm	360kgf · cm	65%	4	64.5
699, 977, 1367, 1911, 2672,	698.969, 977.347, 1366.593, 1910.864, 2671.901,	120kgf · cm	360kgf · cm	59%	5	75.8